

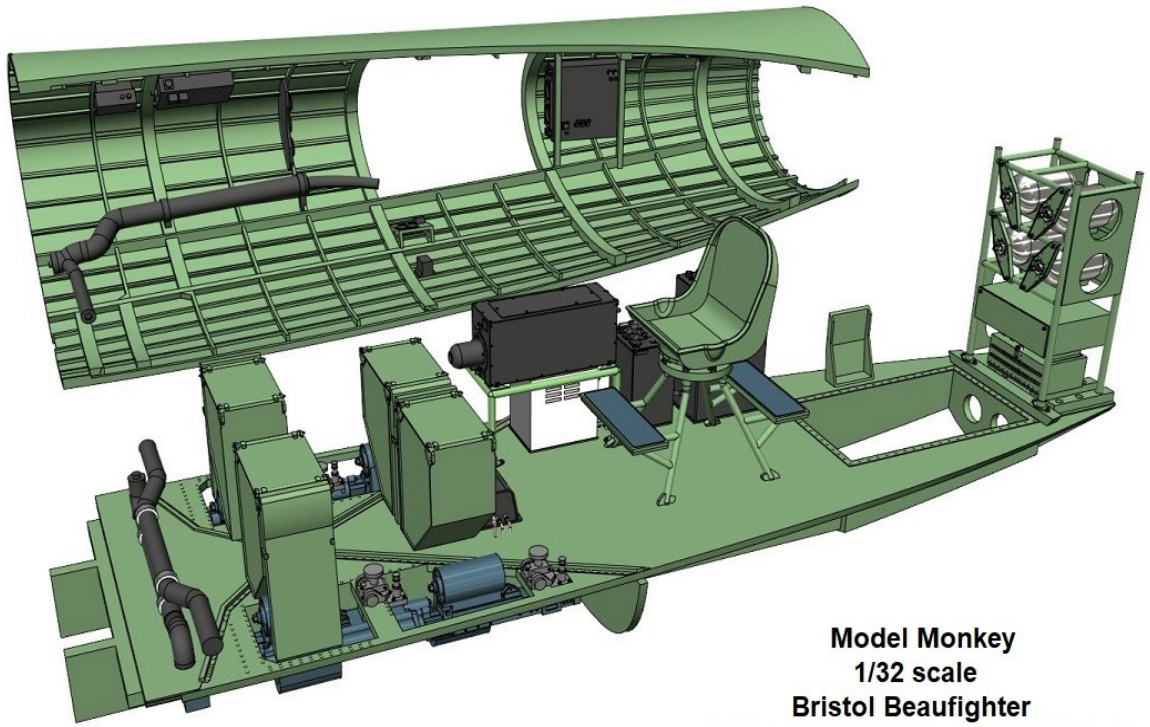


Model Monkey
1/32 scale Bristol Beaufighter
Mid-war Nightfighter
Radar Operator's Station
Painting and Assembly Guide

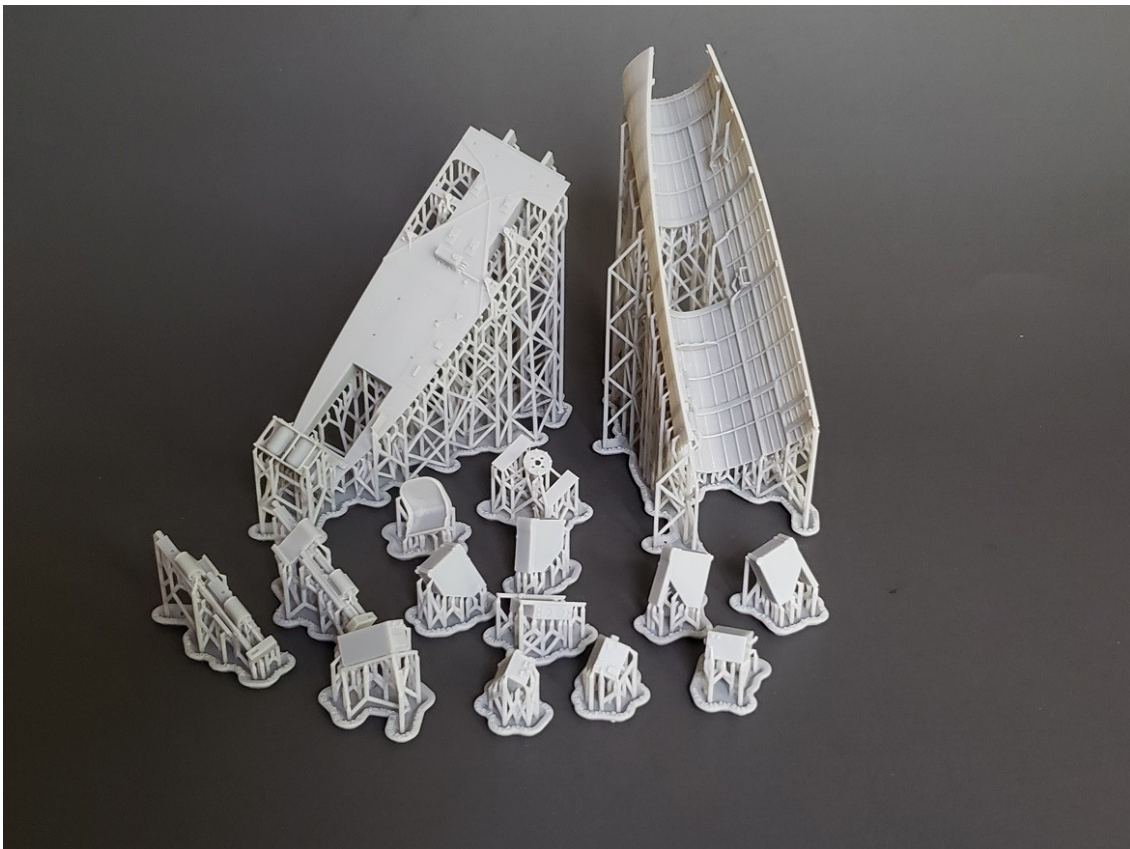


"The Bristol Type 156 Beaufighter (often called the "Beau") is a British multi-role aircraft developed during the Second World War by the Bristol Aeroplane Company. It was originally conceived as a heavy fighter variant of the Bristol Beaufort torpedo bomber. The Beaufighter proved to be an effective night fighter, which came into service with the Royal Air Force (RAF) during the Battle of Britain, its large size allowing it to carry heavy armament and early airborne interception radar without major performance penalties."

"Radar, Airborne Interception, Mark IV, or AI Mk. IV for short, was the world's first operational air-to-air radar system. Early Mk. III units appeared in July 1940 on converted Bristol Blenheim light bombers, while the definitive Mk. IV reached widespread availability on the Bristol Beaufighter heavy fighter by early 1941. On the Beaufighter, the Mk. IV arguably played a role in ending the Blitz, the Luftwaffe's night bombing campaign of late 1940 and early 1941." - Wikipedia.

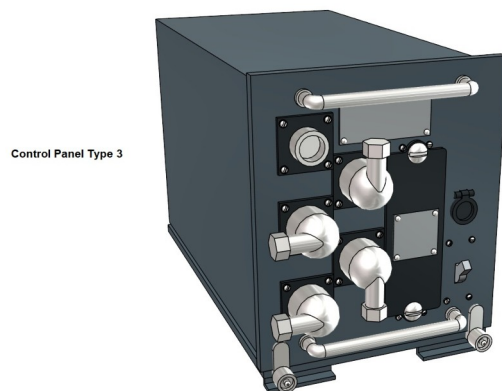
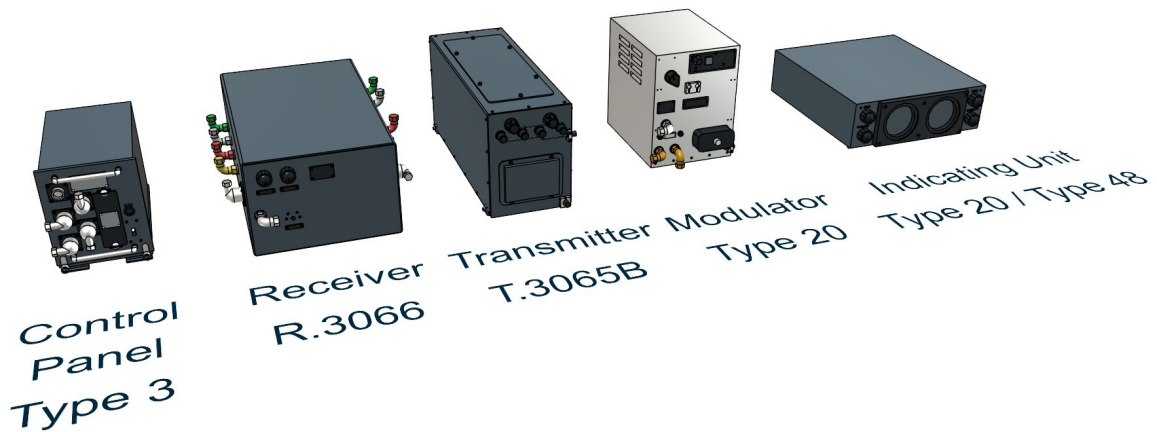


Model Monkey
1/32 scale
Bristol Beaufighter
Mid-war Radar Operator's Station



[Click here for support removal advice, glue recommendations, and painting tips.](#)

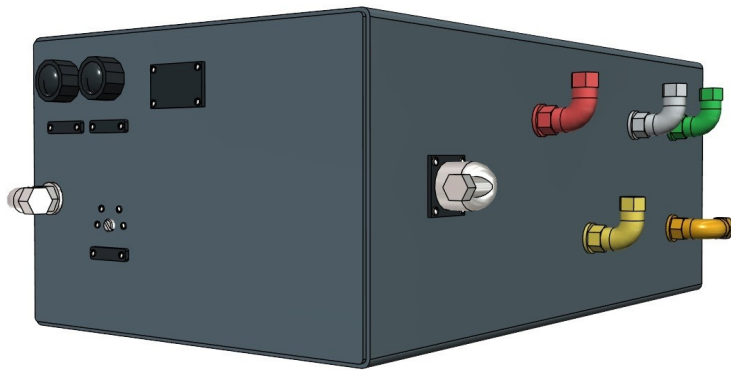
- Fuselage interior, flooring and ammunition bins and upper feed chutes: varies between aircraft, either “RAF Interior Green” (greyish green) or black.
- Boxy electrical components and instrument panel: very dark gray.
- Airborne Interception Mk.IV Radar components: very dark gray.
- “Modulator Type 20”: bare metal.
- Oxygen tanks: bare metal.
- Cable fittings: color-coded according to their purpose (see renderings below).
- Flight instrument dials: black.
- Hispano-Suiza 20 mm cannons and lower feed chutes: bluish black



Receiver R.3066



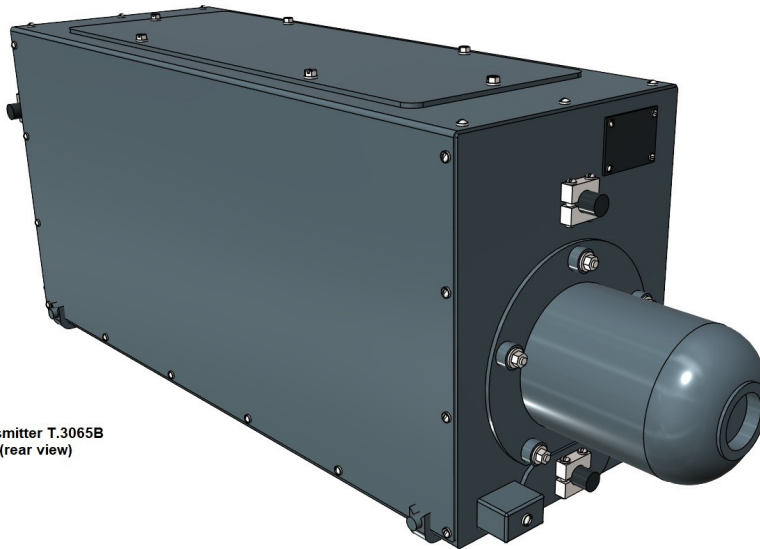
Receiver R.3066



Transmitter T.3065B



Transmitter T.3065B
(rear view)



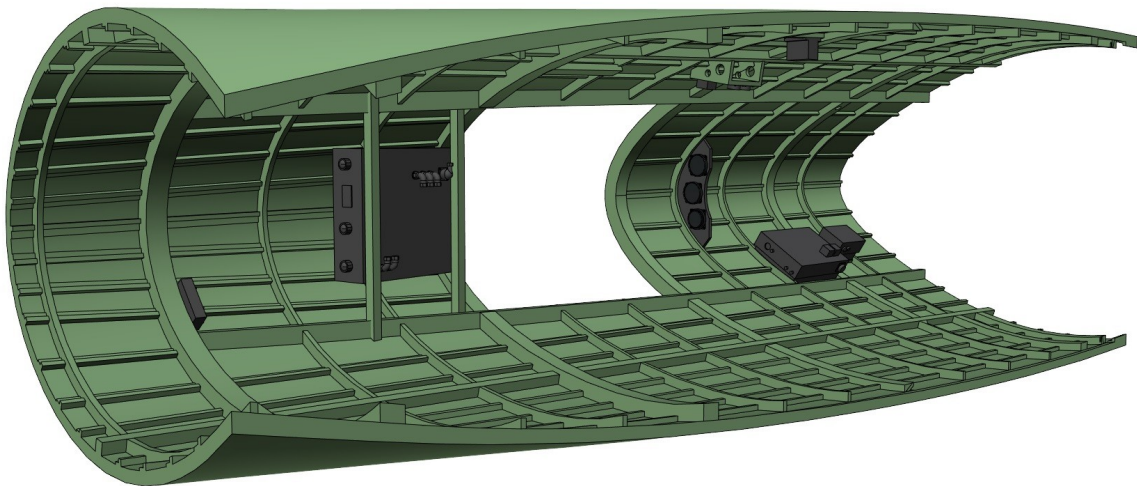
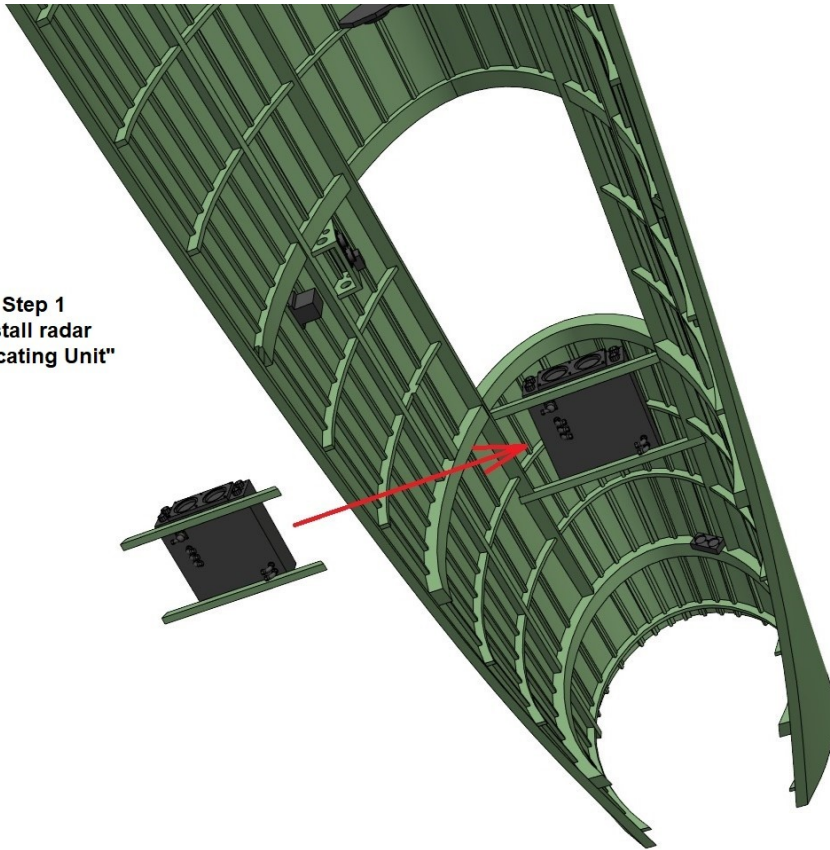
Modulator Type 20



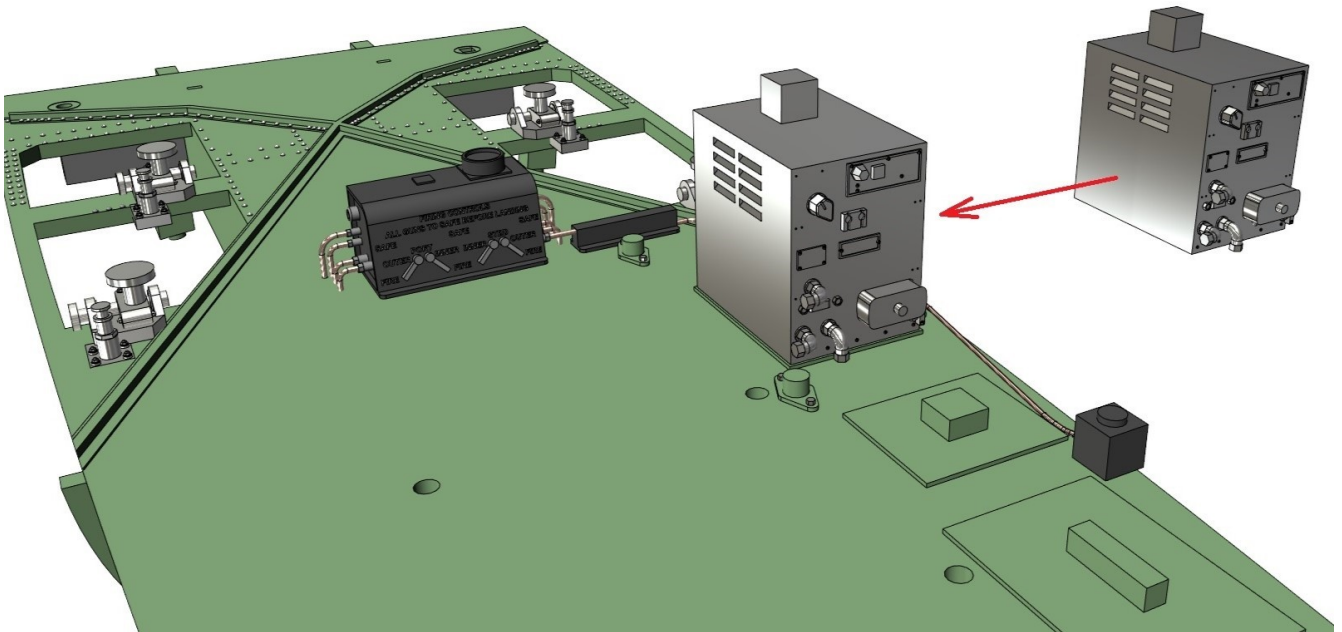
Indicating Unit Type 20 / Type 48



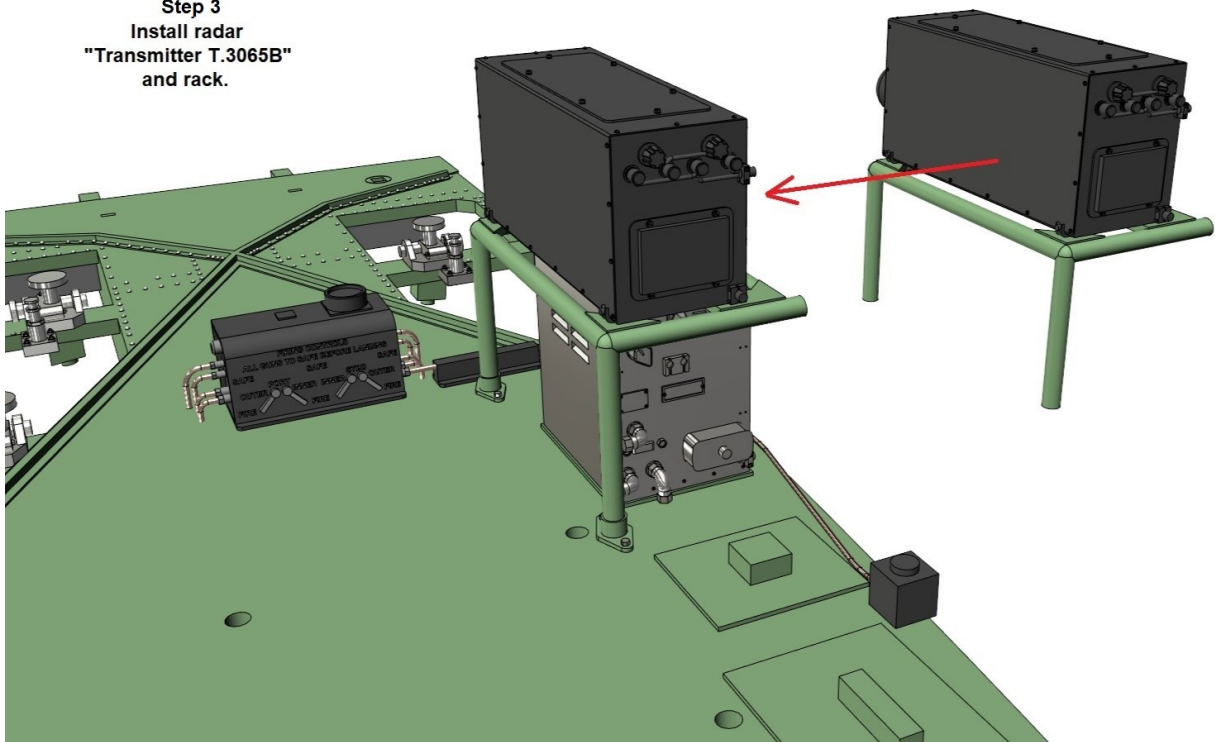
Step 1
Install radar
"Indicating Unit"



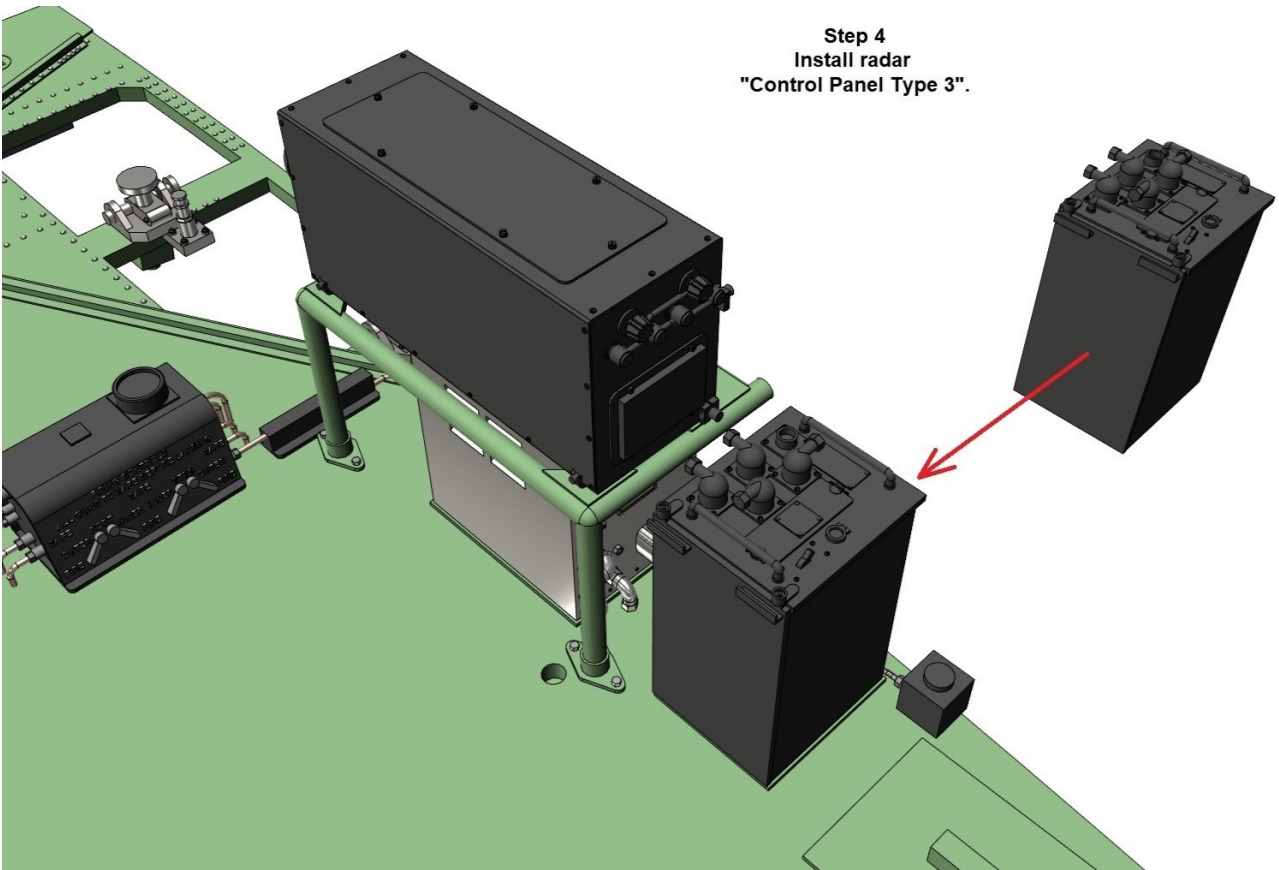
Step 2
Install Radar
"Modulator Type 20"



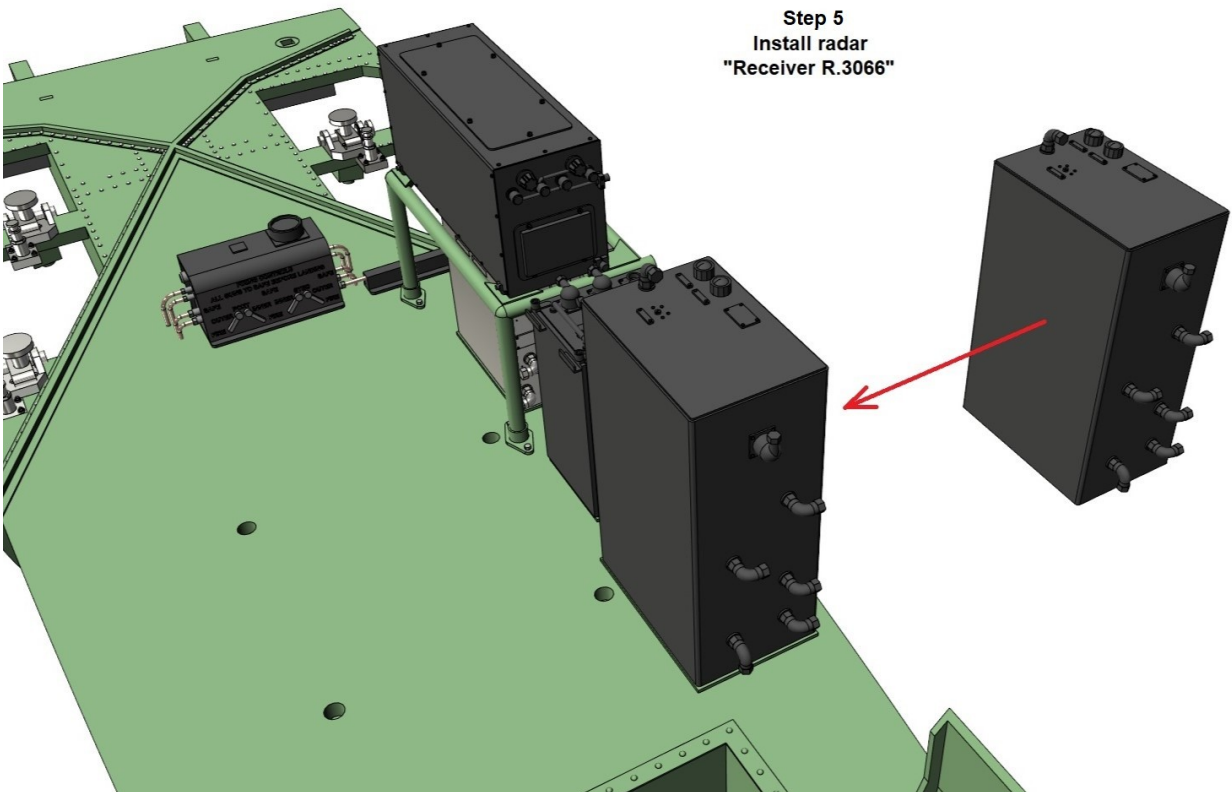
Step 3
Install radar
"Transmitter T.3065B"
and rack.



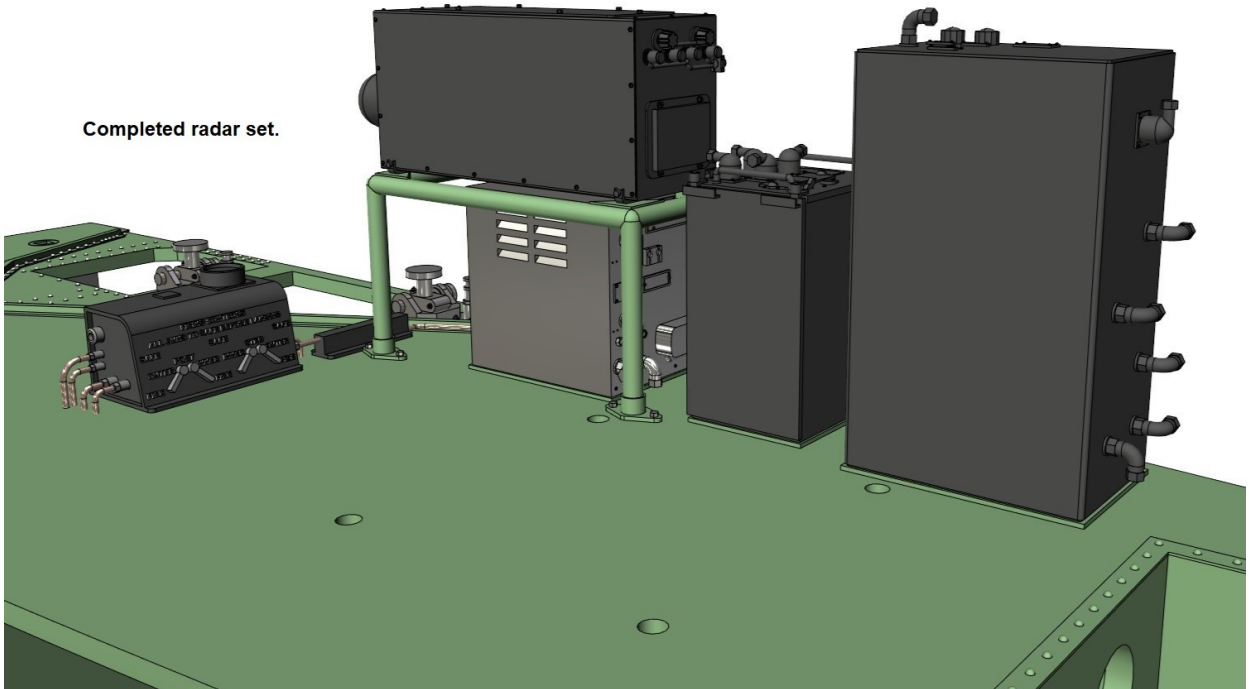
Step 4
Install radar
"Control Panel Type 3".



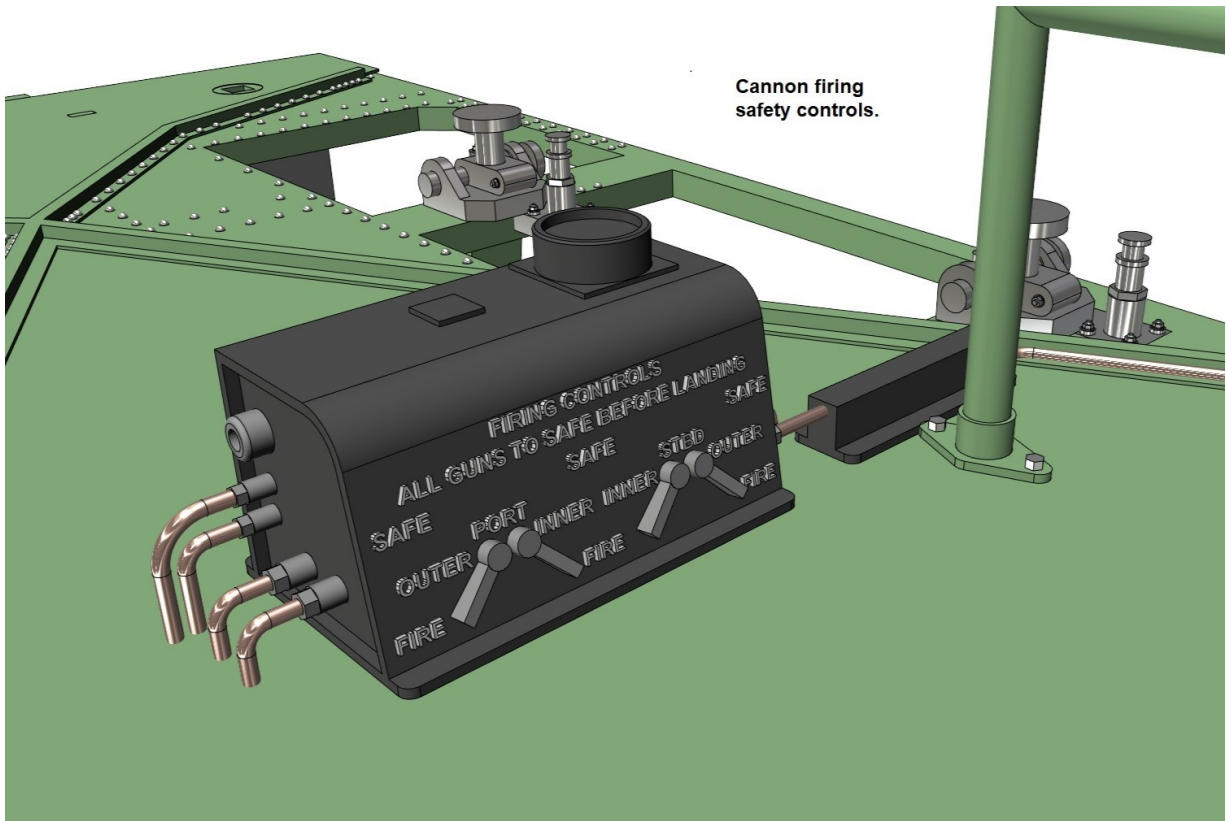
Step 5
Install radar
"Receiver R.3066".



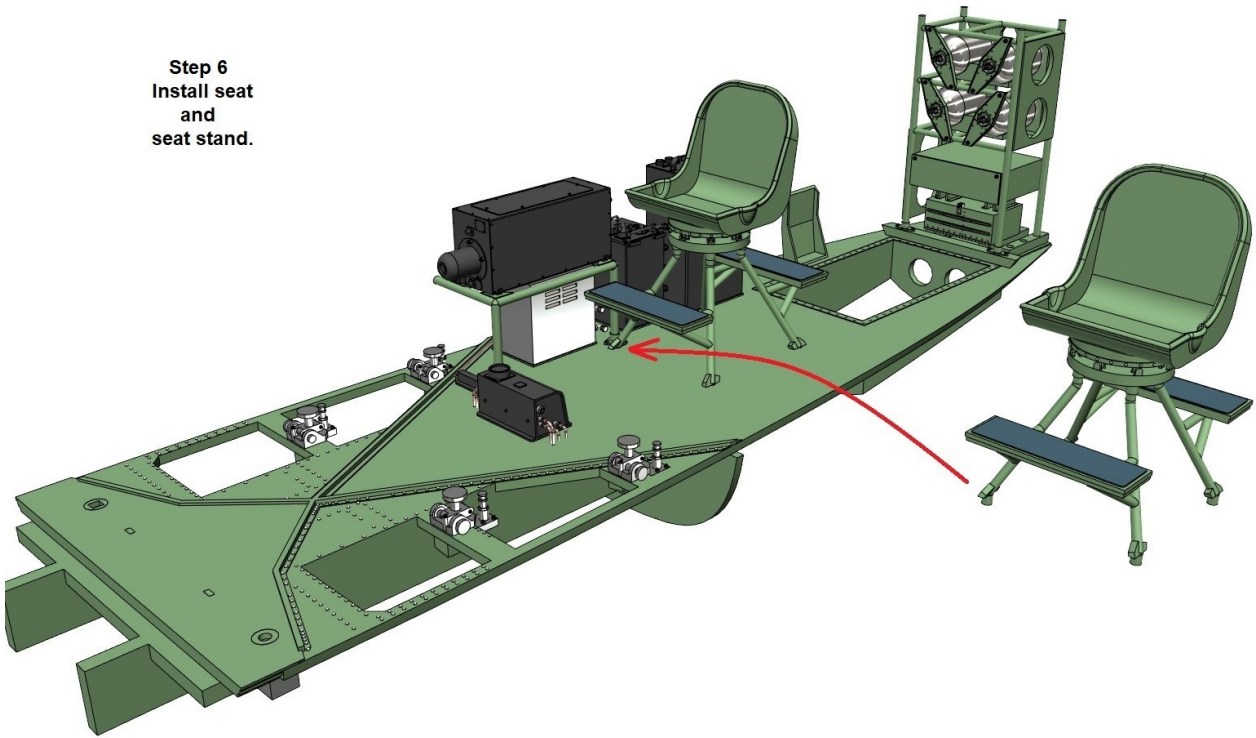
Completed radar set.



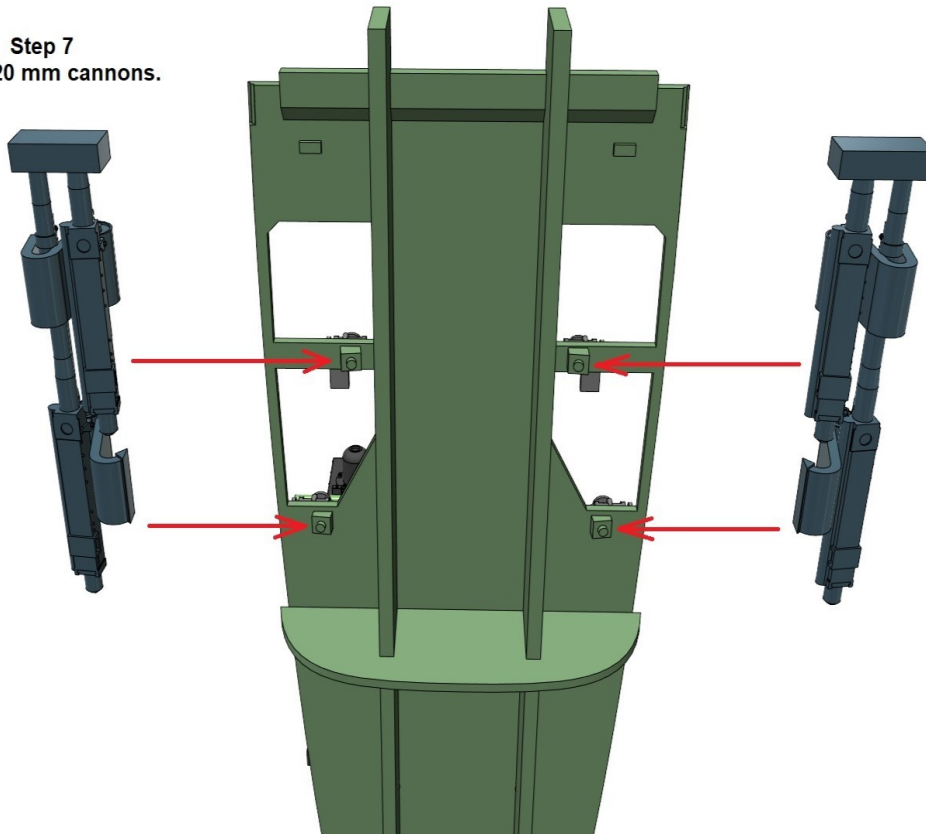
Cannon firing safety controls.



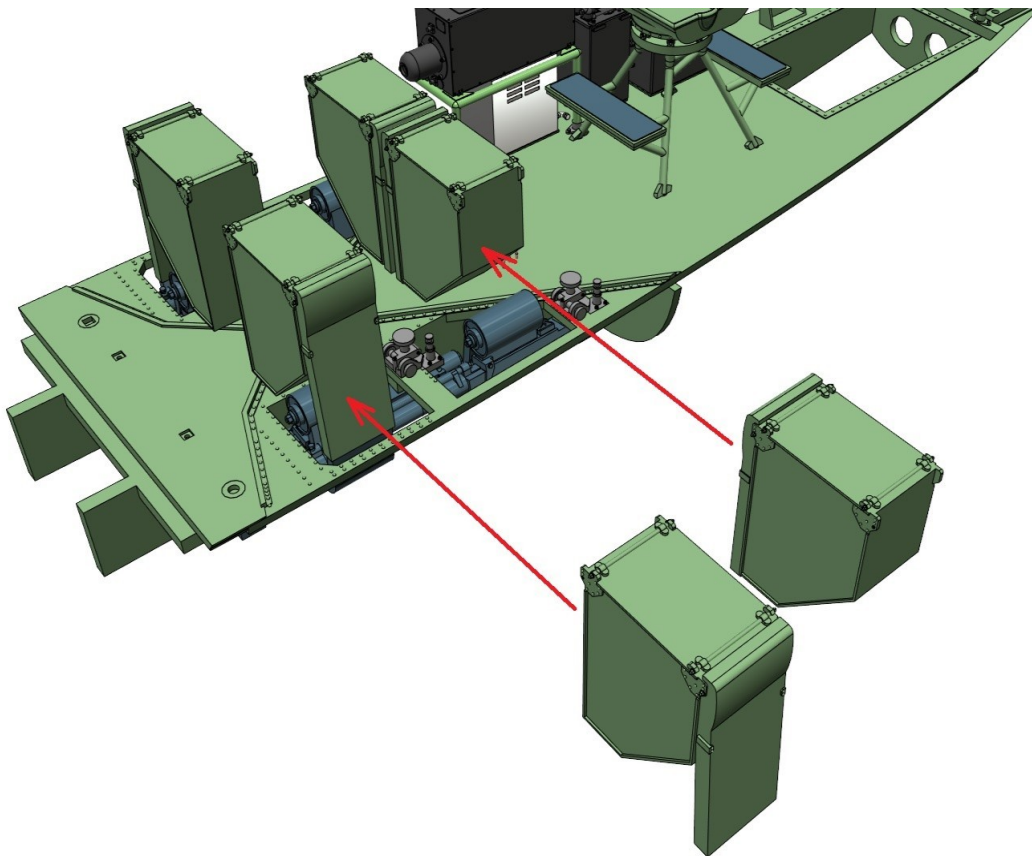
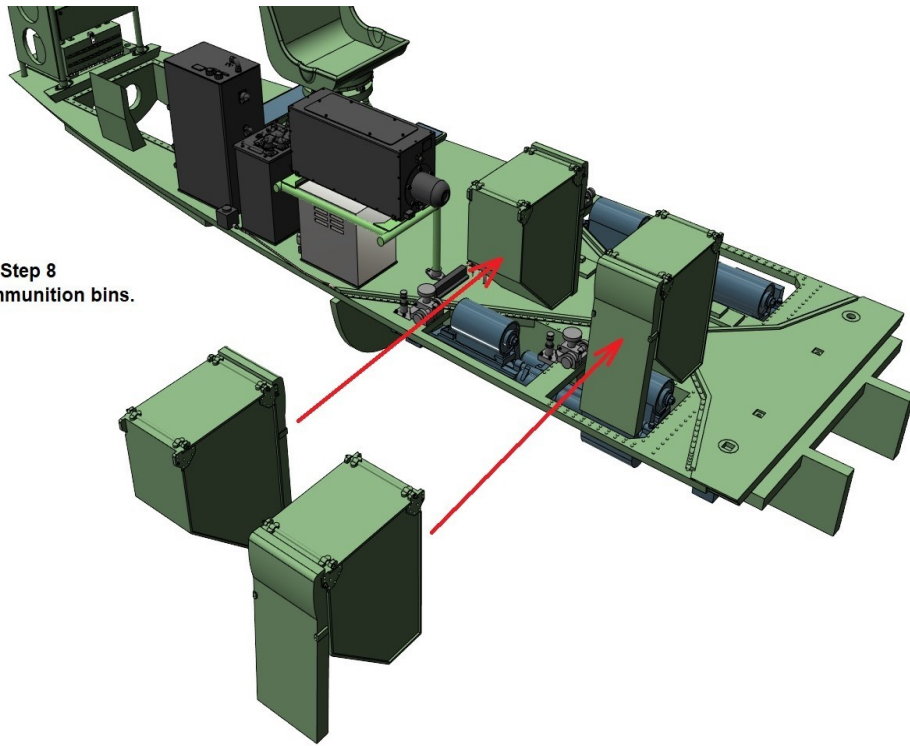
Step 6
Install seat
and
seat stand.



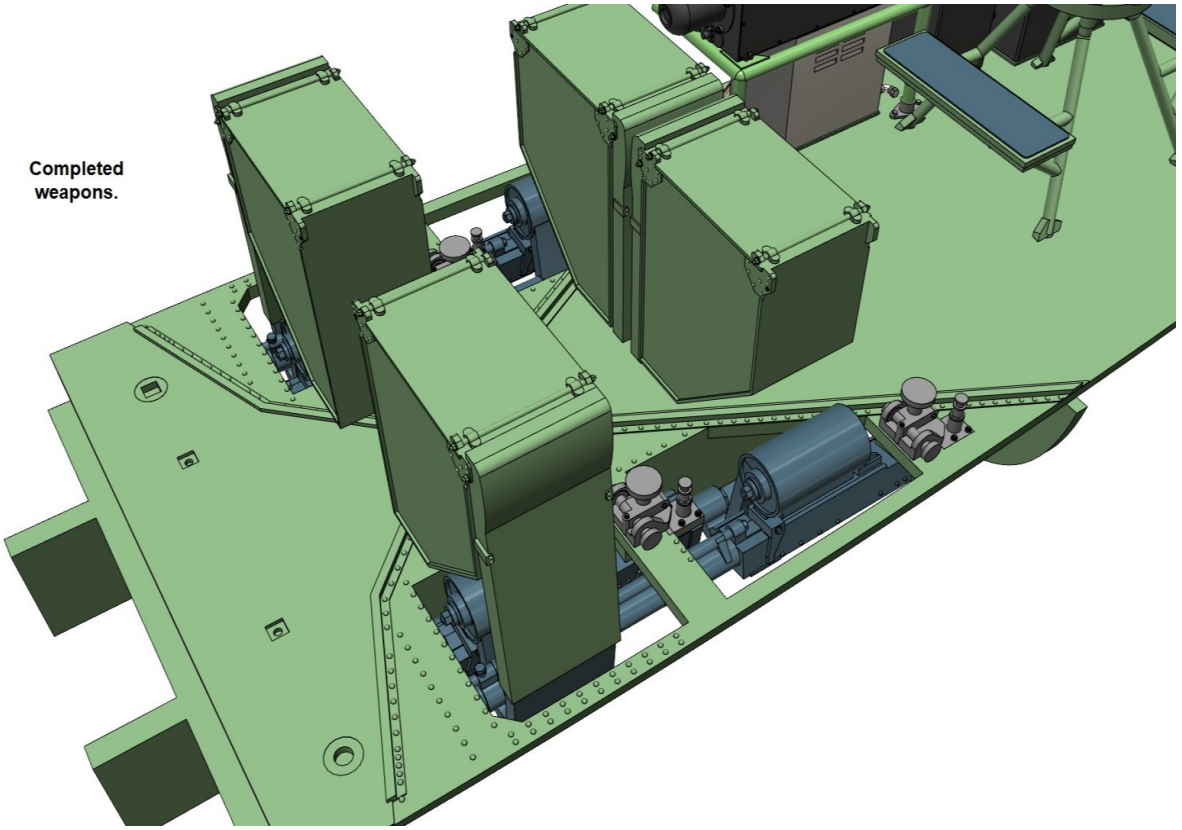
Step 7
Install 20 mm cannons.



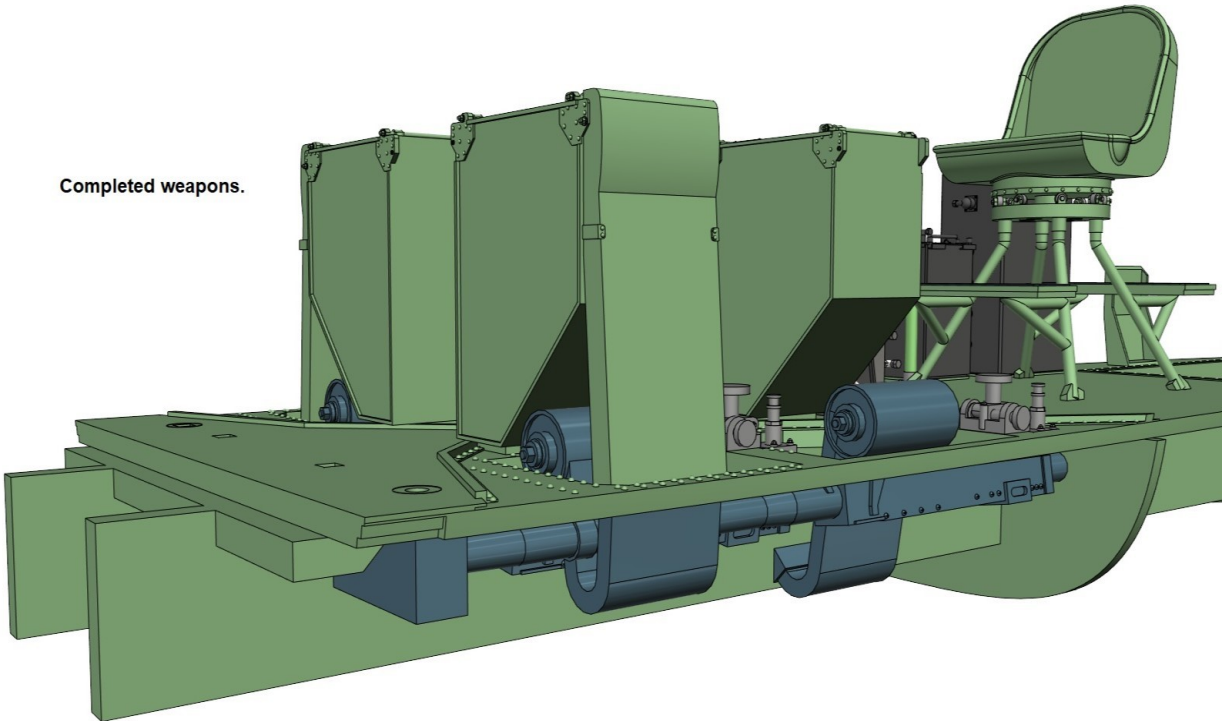
Step 8
Install ammunition bins.



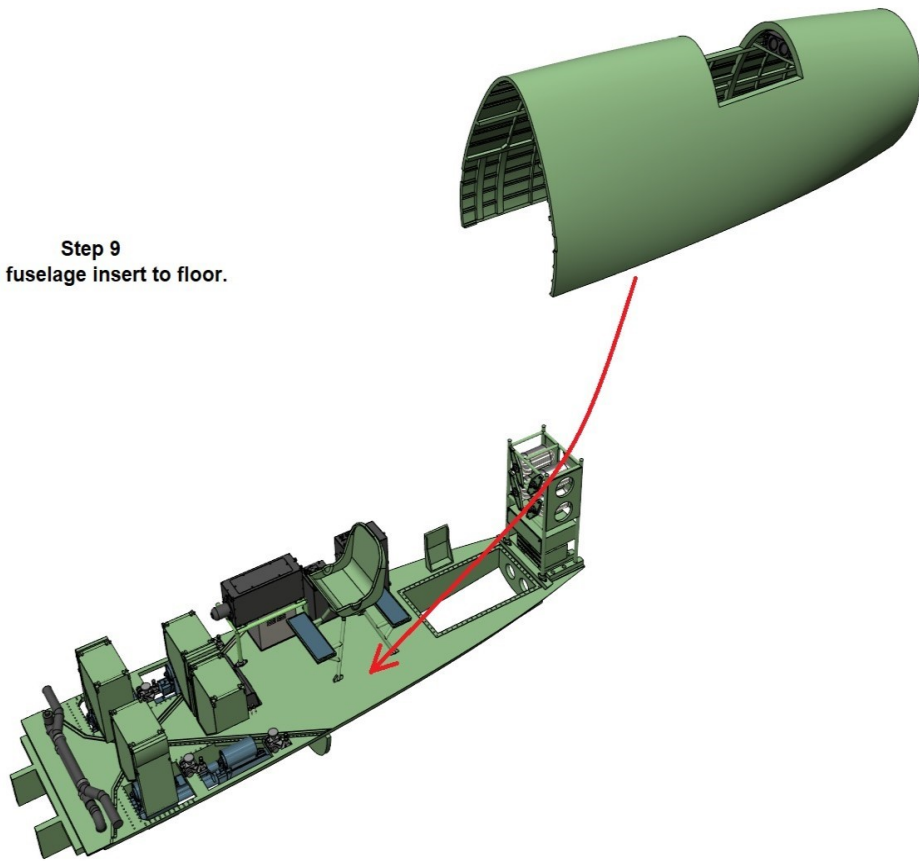
Completed weapons.



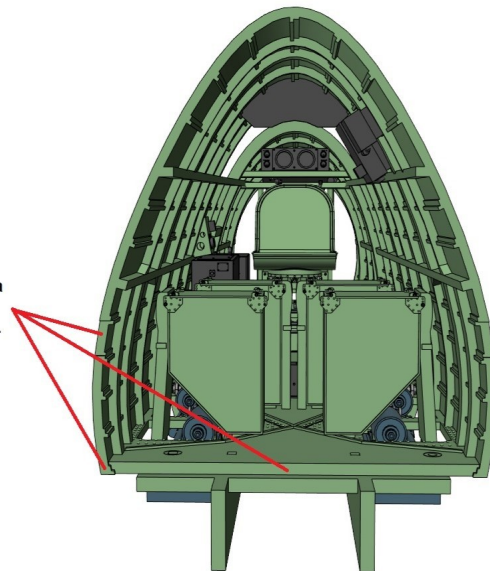
Completed weapons.



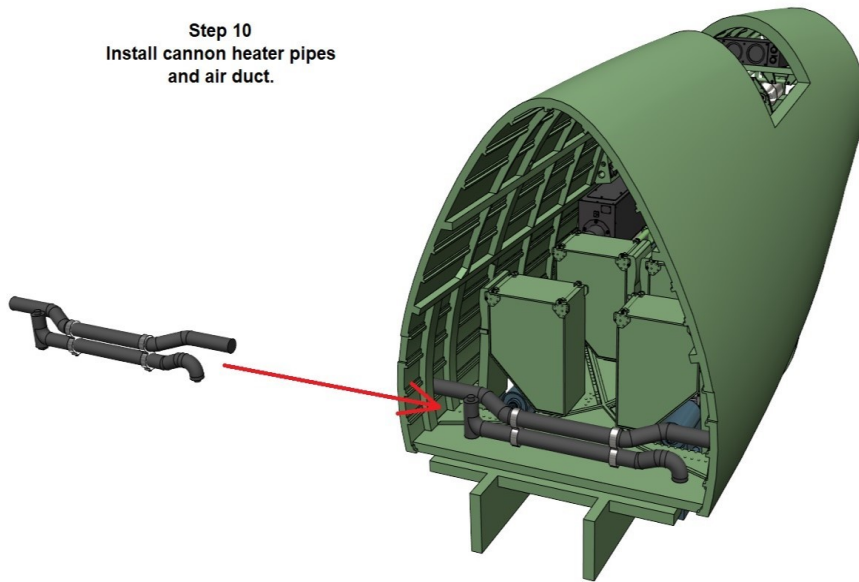
Step 9
Attach fuselage insert to floor.



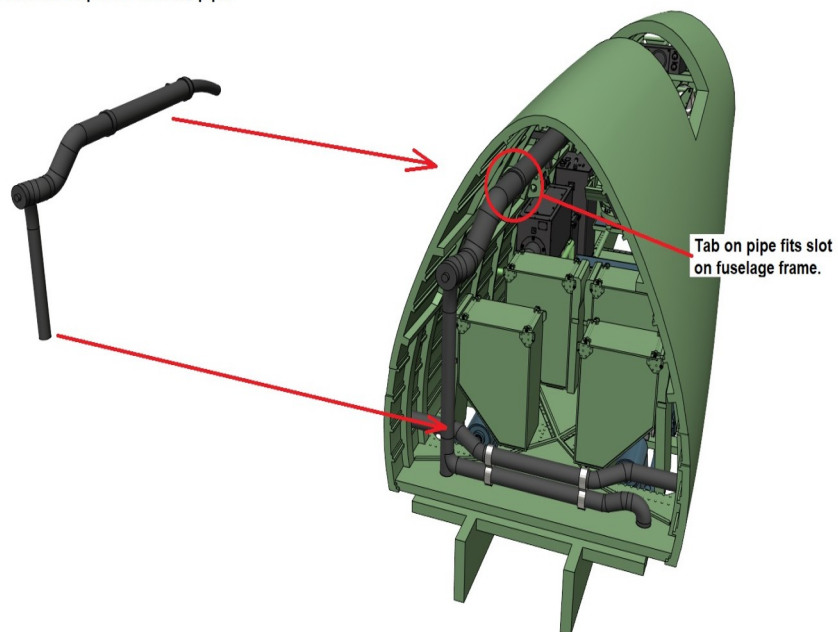
Front shaped to fit a
Model Monkey
Beaufighter cockpit.



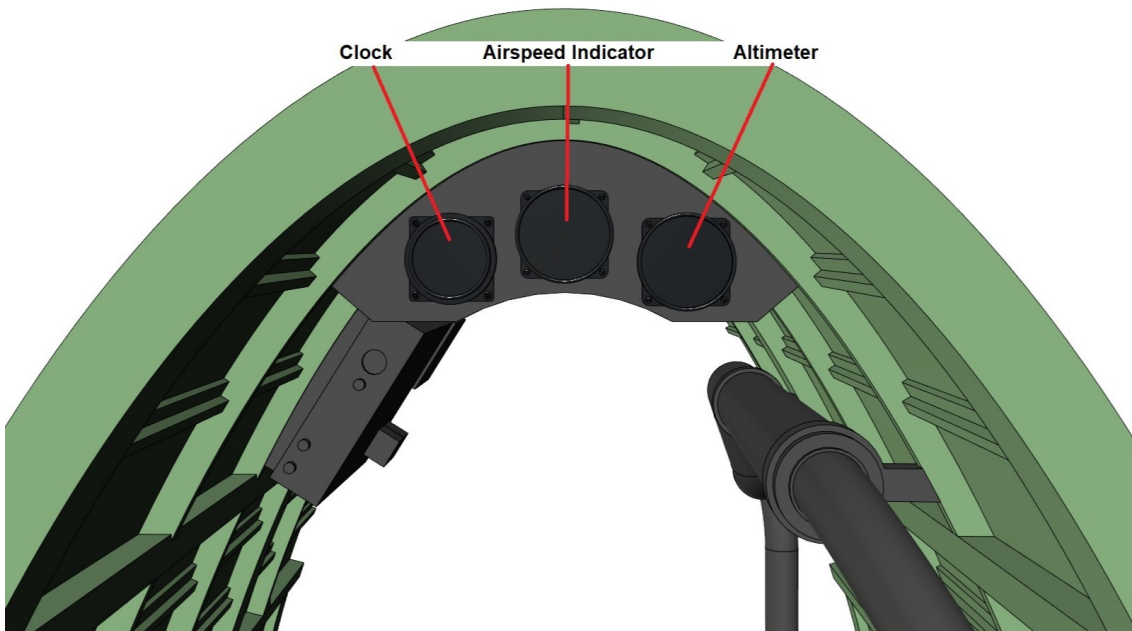
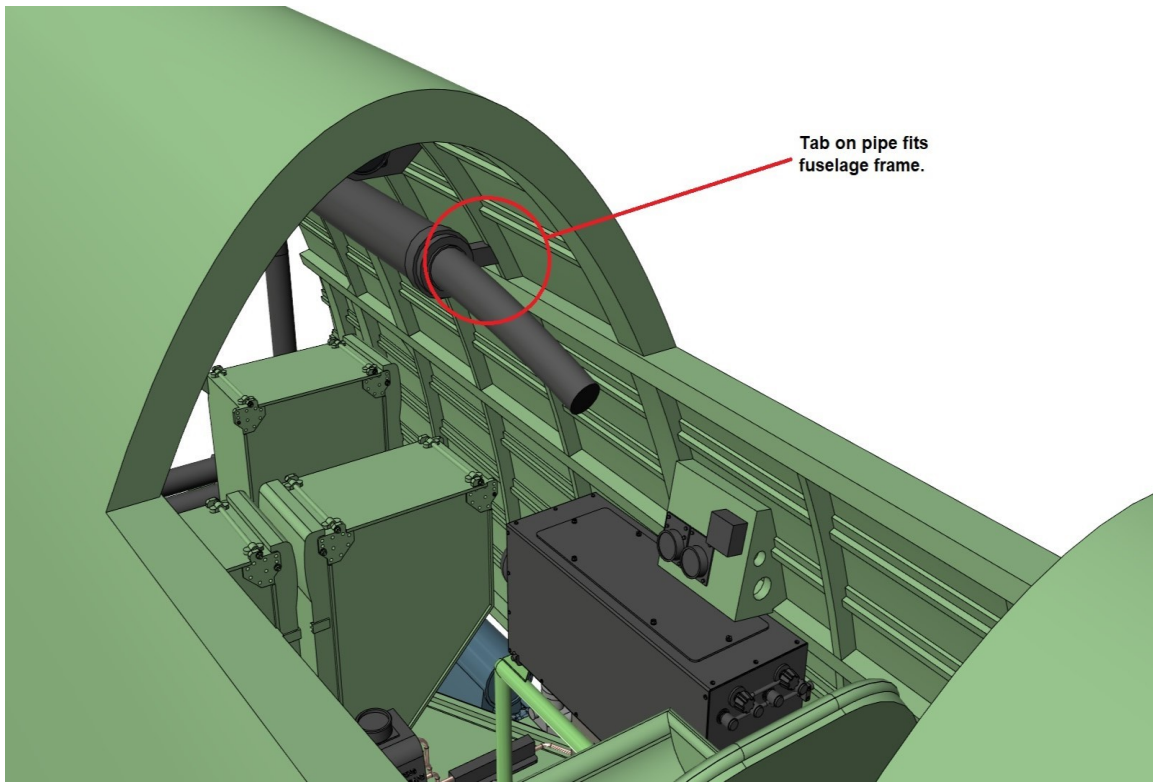
Step 10
Install cannon heater pipes
and air duct.



Step 11
Install radar operator's heater pipe.



Tab on pipe fits slot
on fuselage frame.



[Click here for cockpit instrument decals from Airscale.](#)

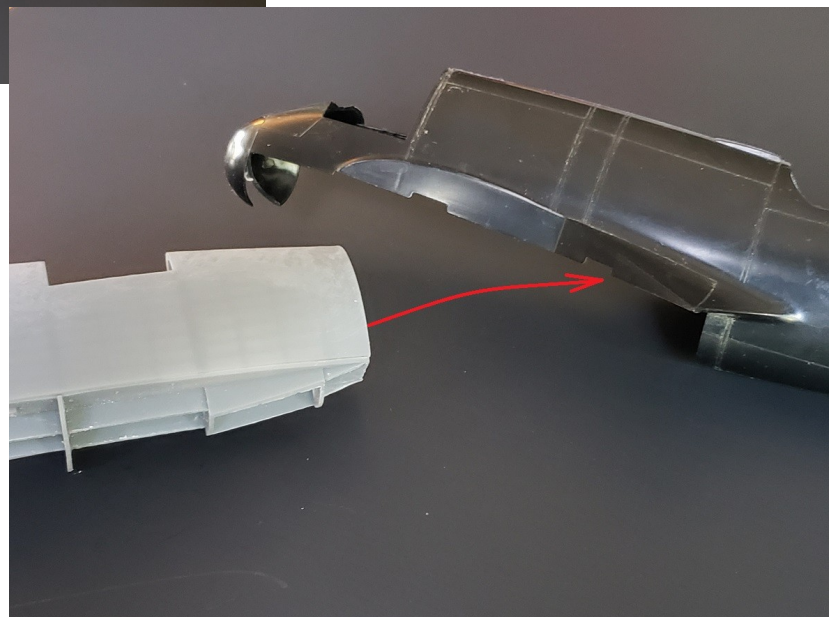
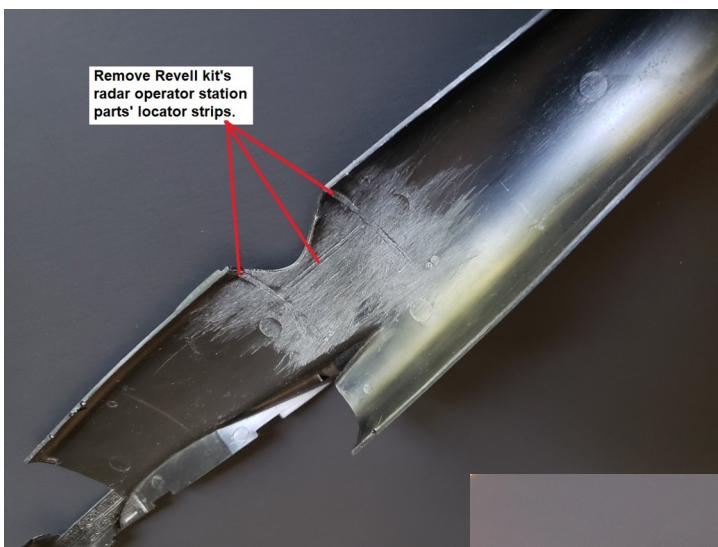
To install the model inside the Revell kit's fuselage:

1. Remove all of the locator strips from the inside the Revell kit's fuselage.
2. Glue the Revell kit's fuselage halves together.
3. Insert the Radar Operator's Station through the opening in the bottom of the fuselage.

If you also have a Model Monkey Beaufighter cockpit:

1. Glue the Radar Operator's Station to your completed cockpit.
2. Remove all of the locator strips from the inside of the Revell kit's fuselage.
3. Insert the entire 3D-printed model into the Revell kit's fuselage through the opening in the fuselage bottom.

Use CA "superglue" or slow-setting epoxy to bond the 3D-printed model's acrylic plastic to the Revell kit's polystyrene plastic.

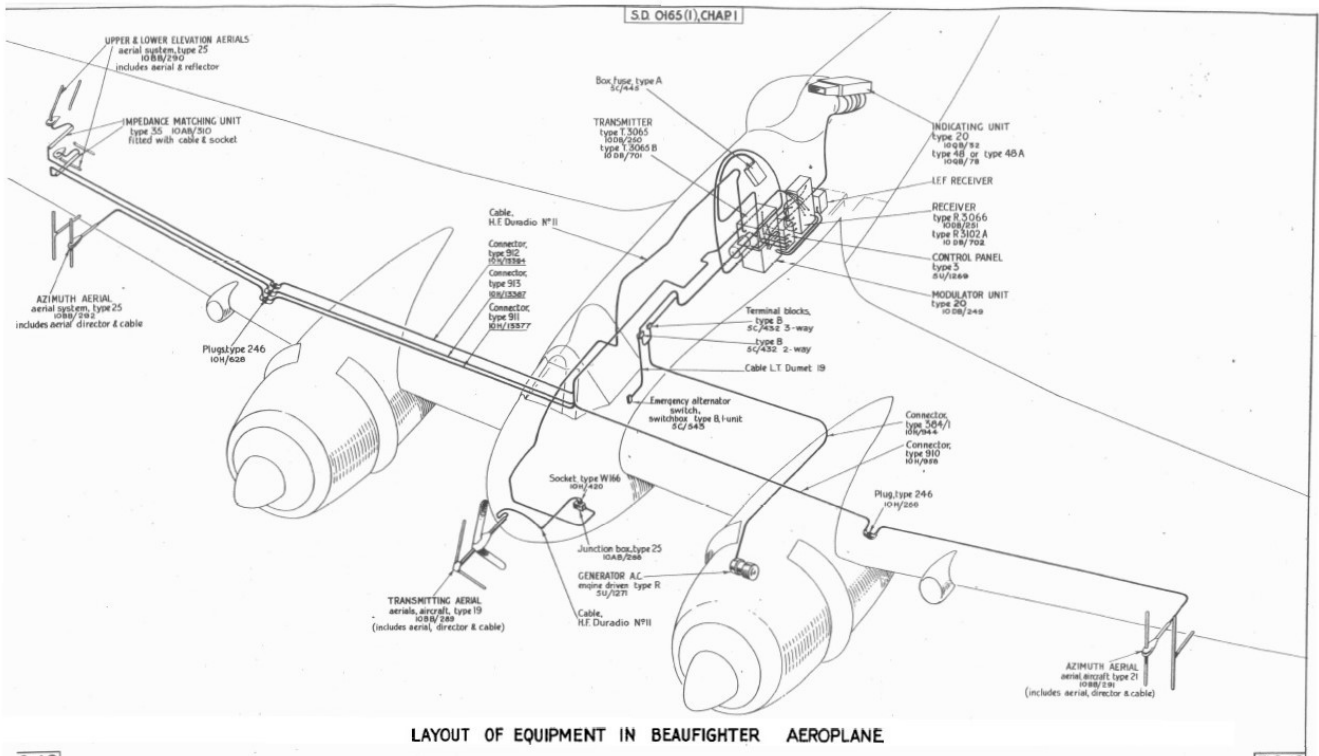


On the real aircraft, the radar operator's bubble canopy was attached to a rooftop hatch that could be opened as seen on the late-model Beaufighter shown below.

The rooftop hatch extended all the way to the heavy frames on each end and side of the 3D-printed model's rectangular opening.



For modelers who wish to add wiring detail to their model's radar equipment, below are two official drawings of the AI Mk.IV radar as it was fit to Bristol Beaufighters. These drawings come from declassified Royal Air Force publication "A.I. Mk.IV and Ancillary Equipment", S.D. 0165 (1), dated July, 1942.



G.42

FIG.42

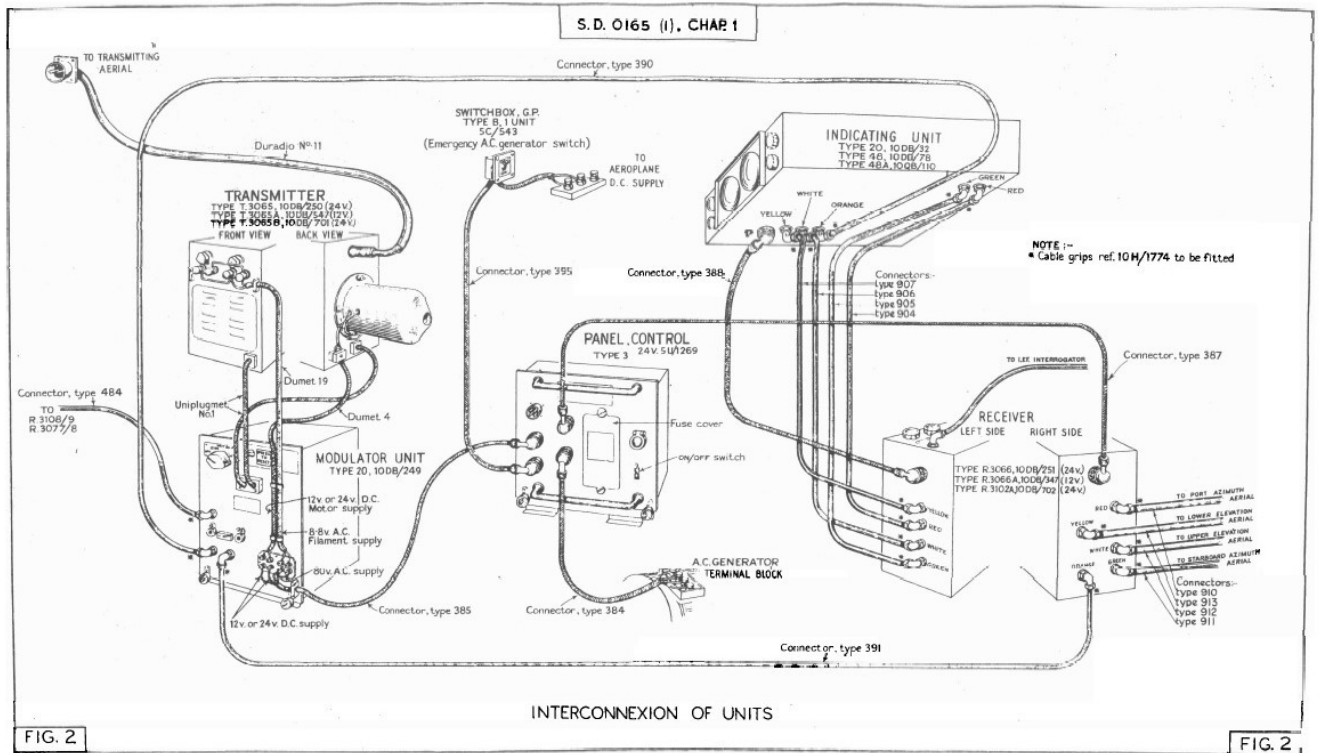


FIG. 2

FIG. 2